



DMR/DMC

7-series

INSTALLATION & OPERATING INSTRUCTIONS

FOR YOUR SAFETY

If you smell gas:

1. Open windows.
2. Don't touch electrical switches.
3. Extinguish any open flame.
4. Immediately call your gas supplier.

POUR VOTRE SÉCURITÉ

Si vous sentez une odeur de gaz:

1. Ouvrez les fenêtres.
2. Ne touchez à aucun interrupteur.
3. Éteignez toute flamme nue.
4. Avertissez immédiatement votre fournisseur de gaz.

FOR YOUR SAFETY

Do not store or use gasoline or other flammable vapors and liquids in the vicinity of this or any other appliance.

POUR VOTRE SÉCURITÉ

Ne pas entreposer ni utiliser de l'essence ni d'autres vapeurs ou liquides inflammables à proximité de cet appareil ou de tout autre appareil.

WARNING

Improper installation, adjustment, alteration, service or maintenance can cause injury or property damage. Refer to this manual. For assistance or additional information consult a qualified installer, service agency or the gas supplier.

AVERTISSEMENT

Une installation, un réglage, une modification, une réparation ou un entretien non conforme aux normes peut entraîner des blessures ou des dommages matériels. Lisez attentivement le mode d'emploi fourni avec l'appareil. Pour obtenir de l'aide ou des renseignements supplémentaires, consultez un installateur ou un service d'entretien qualifié ou le fournisseur de gaz.

WARNING

If the refrigerator stops cooling - or - if ammonia emanates from it, immediately turn the refrigerator off and contact a Service Center.

AVERTISSEMENT

Si le réfrigérateur cesse de refroidir - ou - si de l'ammoniac s'en dégage, arrêtez immédiatement le réfrigérateur et contactez un centre de réparation.



USA

Service Office
Dometic, LLC
2320 Industrial Pkwy.
Elkhart, IN 46516
Phone: 574-294-2511

Corporate Office

2320 Industrial Parkway Elkhart, IN 46516

For Service Center Assistance

Call: 800-544-4881

CANADA

Dometic, LLC
46 Zatonski, Unit 3
Brantford, ON N3T 5L8
CANADA
Phone: 519-720-9578

CONTENTS

INTRODUCTION	4
INSTALLATION INSTRUCTIONS	
CERTIFICATION & CODE REQUIREMENTS	4
VENTILATION REQUIREMENTS	5
OVERALL AND RECESS DIMENSIONS	6
INSTALLATION PROCEDURE	6
MOUNTING INSTRUCTIONS	9
OPERATING INSTRUCTIONS	
REFRIGERATOR OVERVIEW	11
INSTRUCTIONS FOR USE	13
STORAGE COMPARTMENTS	14
PRODUCT CARE	15
MAINTENANCE & SERVICE	16
REFRIGERATOR REMOVAL	17
TROUBLESHOOTING	18
APPENDIX A - REARVIEW EQUIPMENT	22
APPENDIX B - WIRING DIAGRAM	23
APPENDIX C - CONSUMER SUPPORT	24
APPENDIX D - DOMETIC WARRANTY	25
APPENDIX E - MAINTENANCE SCHEDULE	26

SYMBOLS

The following symbols are used throughout the manual:



Indicates a potentially hazardous situation, which, if not avoided, could result in death or serious injury.



Indicates a potentially hazardous situation, which, if not avoided, may result in minor or moderate injury.

CAUTION

Used without the safety alert symbol indicates, a potentially hazardous situation which, if not avoided may result in property damage.



Information



Step-by-step instructions

INTRODUCTION

Thank you for entrusting us to supply your new quality-guaranteed refrigerator. The refrigerator is to be used as a recreational device designed for storage of foods, frozen foods and making ice. Please, when the refrigerator is not in use as a recreational device, turn the system off and open the doors.

This manual should be kept and stay with the refrigerator if it is ever moved or change owners. Read it carefully to ensure that you know how to operate the refrigerator safely and correctly. Be aware of possible safety hazards when seeing alert symbols on the refrigerator as well as in this manual.

To ensure safe and efficient operation, the refrigerator must be installed as described in this manual. The installation and servicing should be performed by qualified personnel only and must conform to all relevant local authorities. Please read this manual thoroughly before installing the refrigerator.

INSTALLATION INSTRUCTIONS

CERTIFICATION & CODE REQUIREMENTS

This appliance is certified under the latest edition of ANSI Z21.19•CSA 1.4 Refrigerators using gas fuel. The installation must conform with local codes, or in absence of local codes, the following standards as applicable.

In the U.S. the installation must conform with:

- National Fuel Gas Code, ANSI Z223.1/NFPA 54 (latest edition).
- Recreational Vehicles Code, ANSI A119.2 (latest edition).
- Manufactured Home Construction and Safety Standard, Title 24 CFR, Part 3280.

If an external electrical source is utilized, the refrigerator, when installed, must be electrically grounded in accordance with local codes or, in the absence of local codes, the National Electrical Code, ANSI/NFPA 70 - (latest edition).

In CANADA, the installation must conform with:

- Natural Gas and Propane Installation Code, CSA B149.1
- CSA Z240 RV Series, Recreational Vehicles.
- Current CSA Z240.4, Gas-equipped Recreational Vehicles and Mobile Housing.

If an external electrical source is utilized, the refrigerator, when installed, must be electrically grounded in accordance with local codes or, in the absence of local codes, the Canadian Electrical Code, CSA C22.1, Parts I and II - (latest edition).



VENTILATION REQUIREMENTS

GENERAL INFORMATION

Ventilation is one of the requirements for proper cooling unit operation. The installation should be made in such a manner as to separate the combustion system from the living space of the mobile home or recreational vehicle. Openings for air supply or for venting of combustion products should have a minimum dimension of not less than 1/4 inch.

Proper installation requires one lower fresh air intake and one upper exhaust vent. Certified installations require one roof vent and one lower side vent. The ventilation kits shown in this manual have been certified for use with RM3762 and RM3962. The table below displays the components and their part no.

CERTIFIED VENT SYSTEM KITS		
Kit no.	Components	Part no.
4A	Roof Base	3103633.XXX* or 3310893.XXX*
	Roof Cover	3103634.XXX* or 3310894.XXX*
	Lower Side Vent	3109350.XXX*

* Replace "XXX" with the color code numbers. For color codes, contact your supplier. For further information, contact your dealer or distributor.

The ventilation kits must be installed and used without modification! An opening toward the outside at floor level in the refrigerator compartment has to be provided for ventilation of heavier-than-air fuel gases. The lower vent of the recommended kits is provided with proper size openings. The flow of combustion and ventilating air must not be obstructed.

The lower side vent is fitted with a panel, which provides an adequate access opening for ready serviceability of the burner and control manifold of the refrigerator. This should be centered on the back of the refrigerator.

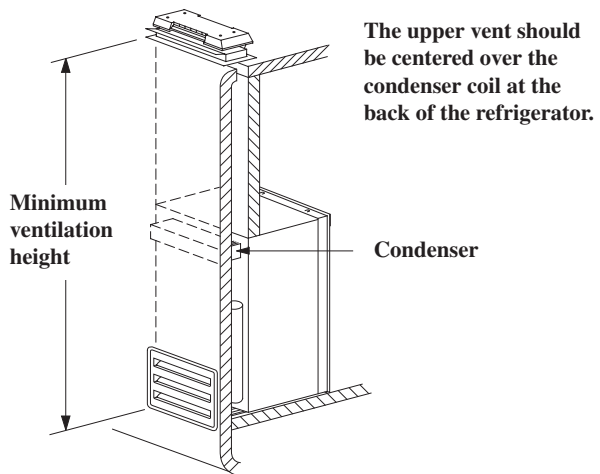
CAUTION

It is of especially importance that the airflow around the burner housing, the boiler insulation and the flow of combustion gases must not be obstructed. Items placed in the vicinity of the refrigerator compartment accordingly must be secured away from the refrigerator tubing and flue.

VENTILATION HEIGHTS

It is essential that all maximum or minimum dimensions are strictly maintained, as the performance of the refrigerator is dependent on adequate flow of air over the rear of the refrigerator.

MINIMUM VENTILATION HEIGHTS Installation with roof vent and lower side vent		
	inches	mm
DMR/DMC	57-3/4	1465

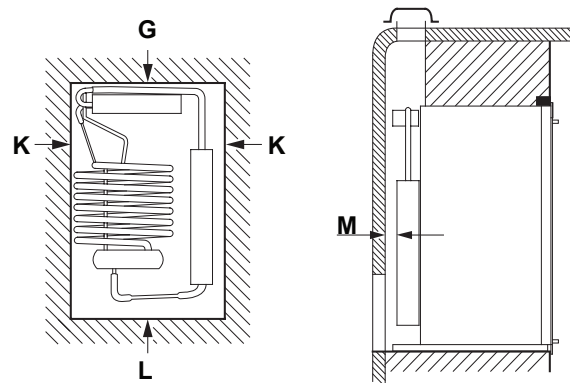


CLEARANCES

Minimum clearances (in inches) to combustible materials:

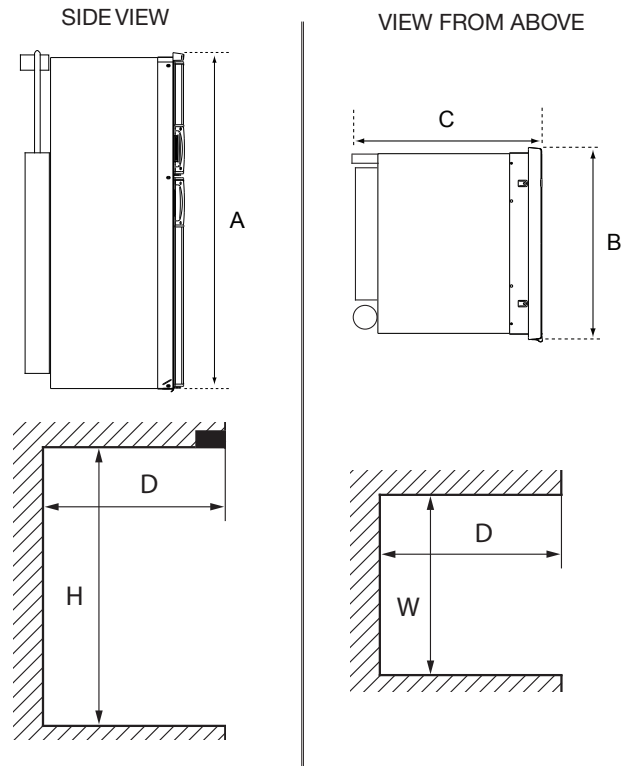
Top (G)	0
Side (K)	0
Bottom (L)	0
Rear (M ¹)	0

¹ The distance between the rearmost part of the refrigerator and the wall behind it.



OVERALL AND RECESS DIMENSIONS

DATA	MODEL	DMR/DMC
OVERALL DIMENSIONS		
Height (A)	mm	1391
	inches	54-3/4
Width (B)	mm	637
	inches	25-5/64
Depth (C)	mm	668
	inches	26-19/64
RECESS DIMENSIONS		
Height (H)	mm	1365
	inches	53-3/4
Width (W)	mm	602
	inches	23-11/16
Depth (D)	mm	616
	inches	24-1/4



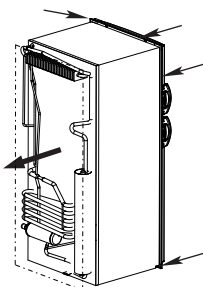
INSTALLATION PROCEDURE

GENERAL INSTRUCTIONS

- Make sure the floor is solid and level.
- Do not install the appliance directly on carpeting. Carpeting must be removed or protected by a metal or wood panel beneath the appliance, which extends at least full width and depth of the appliance.
- The refrigerator must be level and installed in a substantial enclosure.

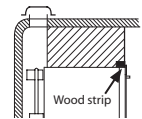
INSTALLING AND SECURING THE REFRIGERATOR

When installing the refrigerator in the enclosure, all areas within the recess have to be sealed. Verify that there is a complete seal between the front frame of the refrigerator and the top, sides and bottom of the enclosure. A length of sealing strip is applied to the rear surface of the front frame for this purpose. The sealing strip should provide a complete isolation of the appliance's combustion system from the vehicle interior.



Be careful not to damage the sealing strip when the refrigerator is put in place!

A **wood strip** must be in place across the upper opening of the enclosure. The top frame of the refrigerator will be anchored to the wood strip with screws.

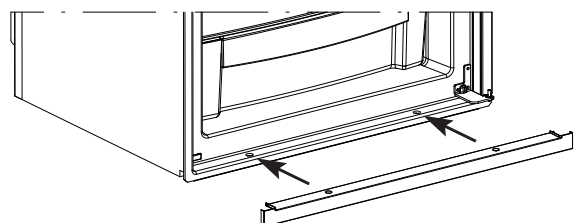


After the refrigerator has been installed (ensuring a combustion seal at the front frame), the refrigerator must be secured in the enclosure with five screws (not included). Furthermore, a lower front strip (shipped as a loose part) should be attached.

NOTE! It is important to follow the sequence in securing the refrigerator since failure in doing that can cause leakage between the frame and cabinet!

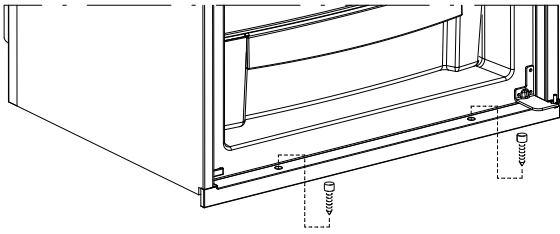
Install the five screws in the following order:

1. Two screws installed through the front base and installation of the lower front strip.
 - a) Install the lower front strip by sliding it under the bottom hinge plate. The hinge plate can be on the right or left side depending on the door swing. Once the lower front strip is slipped under the hinge, the part is possible to swing into place.

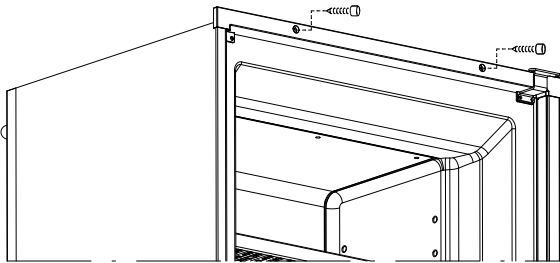


INSTALLATION PROCEDURE

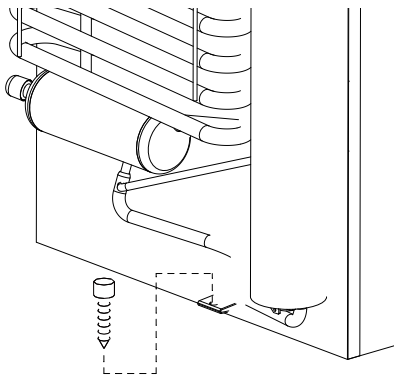
- b) Secure the refrigerator and the lower front strip with two screws.



2. Two screws installed in the top frame.

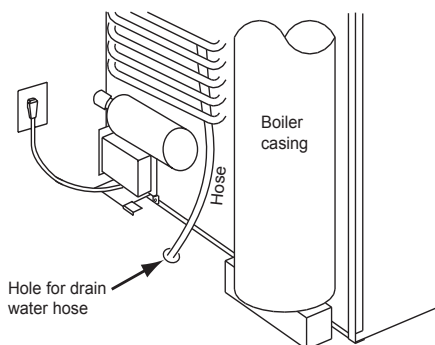


3. One screw installed at the back in the rear base.



DRAIN WATER HOSE

Drill a hole through flooring. To avoid damage on the hose, the hole must be positioned so that the hose doesn't touch the boiler casing. Seal around the hose that goes through the drilled hole and ensure that it does not kink when run through the floor. Check to make sure that the supplied hose is long enough in order for the water to drain outside of the vehicle. If not, the installer will have to supply the extra length of hose.



CONNECTIONS

GAS CONNECTION

Hook up to the gas supply line is accomplished at the manual gas valve, which is furnished with a 3/8" SAE (UNF 5/8" -18) male flare connection. All completed connections should be examined for leaks using a solution of liquid detergent and water.

⚠ WARNING

EXPLOSION HAZARD. Never use an open flame to check for gas leaks. Failure to heed this warning could cause an explosion resulting in death or severe personal injury.

The gas supply system must incorporate a pressure regulator to maintain a supply pressure of not more than 11 inches water column. When testing the gas supply system at test pressures:

- $> 1/2$ psi - the refrigerator and its individual shutoff valve must be disconnected from the gas supply piping system.
- $\leq 1/2$ psi - the appliance must be isolated from the gas supply piping system by closing its individual manual shutoff valve.

If detailed instructions on the installation and connection to the gas supply are required, please contact your dealer or distributor.

TESTING LP GAS SAFETY SHUT OFF

The gas safety shut off must be tested after the refrigerator is connected to LP gas supply.

To test the gas safety shut off, follow these steps:

1. Start the refrigerator and switch to GAS mode.
2. Check that the gas flame is lit and the GAS mode indicator lamp is on.
3. Close the manual gas shutoff valve at the back of the refrigerator, see "APPENDIX A - REARVIEW EQUIPMENT"
4. Wait for approx. 45 seconds. The ignition attempt is interrupted LP is displayed (flashing).
5. Remove the protection cover.
6. Open the manual gas shutoff valve. Do not change any button positions on the control panel.
7. Apply a non-corrosive commercial bubble solution to the burner jet orifice. No bubbles should appear at the opening of the burner jet orifice. The presence of bubbles indicates a defective gas safety shutoff, and service is required.
8. If no bubbles were present at the burner jet orifice, it should be rinsed with fresh water. Be careful not to damage the burner jet orifice.
9. Put back the cover.
10. Press the ON/OFF button off and then back on. Normal operation of the burner should return.
11. Allow the burner to operate for a minimum of five minutes.

INSTALLATION PROCEDURE

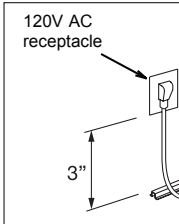
ELECTRICAL CONNECTION

120V AC CONNECTION

The refrigerator is equipped with a grounded three-prong plug for protection against shock hazards. It should be plugged directly into a properly grounded three-prong receptacle. **Do not cut or remove the grounding prong from this plug!**

The free length of the cord is 2 feet and therefore recommended that the receptacle be located to the left side (opposite side of refrigerator burner assembly) of the refrigerator (viewed from the rear).

To allow easy access through the vent door, place the receptacle 3" above the refrigerator mounting floor. The cord should be routed to avoid direct contact with the burner cover, flue cover or any other components that could damage the cord insulation.



12V DC CONNECTION

The refrigerator requires a continuous 12V DC supply to maintain the automatic energy system. The connection is made to the positive (+) and negative (-) terminals of the terminal block on back of the refrigerator, see "APPENDIX A - REARVIEW EQUIPMENT".

Correct polarity must be observed when connecting to the DC supply. Do not use the chassis or vehicle frame as one of the conductors. Connect two wires at the refrigerator and route to the DC supply. The connections must be clean, tight and free from corrosion.

Ensure that the wires from the battery to the refrigerator are able to handle the load. The distance the current must travel from the battery to the refrigerator dictates the AWG wire size to be used. Inadequate wire sizes can result in a voltage drop which affects the refrigerator performance.

Recommended wire sizes are displayed in the following table:

CONDUCTOR WIRE LENGTH AND SIZE	
WIRE LENGTH	AWG
17 ft (5 m)	14
27 ft (8 m)	12

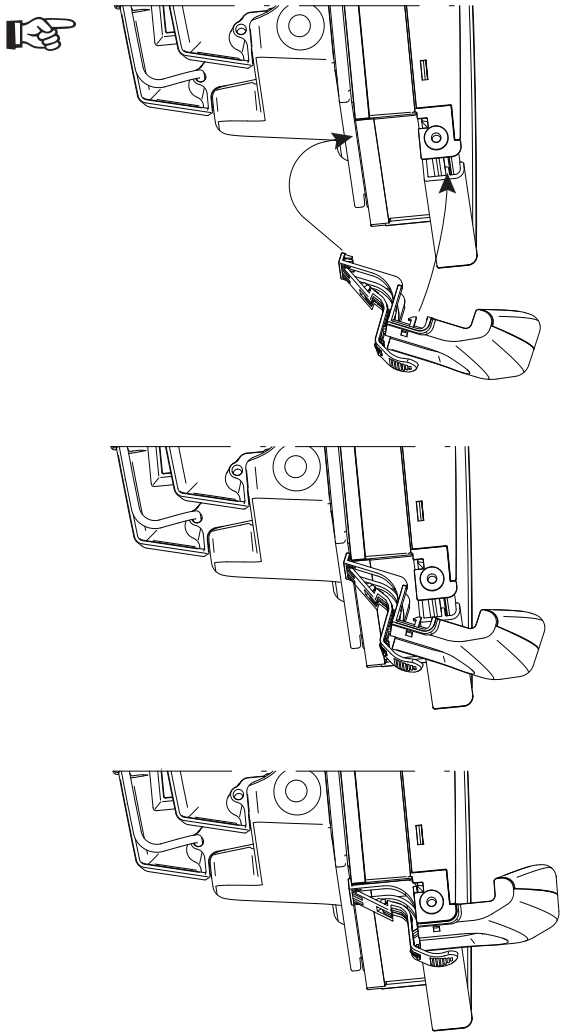
Example: If the distance between the refrigerator and the 12V DC supply is 17 ft, the total wire length is 34 ft and a wire size of 14 AWG should be used.

MOUNTING INSTRUCTIONS

MOUNTING THE DOOR HANDLES

To mount the handles, follow these steps:

1. Snap on the handle by inserting its tabs in the slot and slide into place.



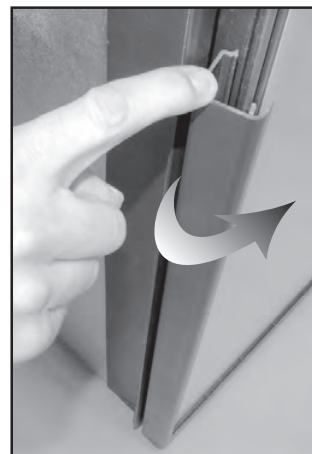
INSTALLING THE DOOR PANELS

The refrigerator is delivered without door panels. Before starting the mounting work, read this instruction thoroughly and check that the panel dimensions are in compliance with those given in the table below.

PANEL DIMENSIONS MAX. THICKNESS 5/32" (4 MM)					
Model		Height		Width	
		max	min	max	min
DMR					
upper	inch	16,57	16,5	23,7	23,6
	mm	421	419	602	600
lower	inch	34,68	34,61	23,7	23,6
	mm	881	879	602	600
DMC					
	inch	16,57	16,5	23,74	23,66
	mm	421	419	603	601
lower	inch	34,68	34,61	23,74	23,66
	mm	881	879	603	601

To install the door panel, follow these steps:

1. Remove the decoration strip by inserting a finger in the plastic profile and pull.

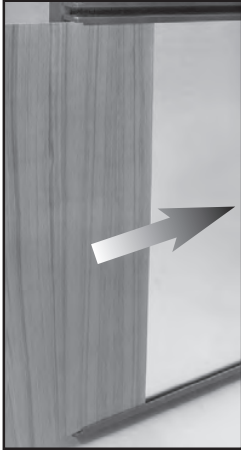


REVERSING THE DOOR SWING

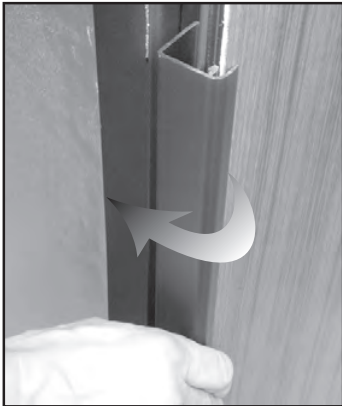
The refrigerator is equipped with hinges that makes it possible to change the direction the door opens by moving the hinges pins to the opposite side. For additional information, please contact service point or distributor service dept. for assistance.

MOUNTING INSTRUCTIONS

2. Open the door 90 degrees.
3. Insert the door panel's edges into the grooves of the door frame. Push the panel sideways until the edge of the panel is fitted into the opposite side groove.



4. Snap on the decoration strip.



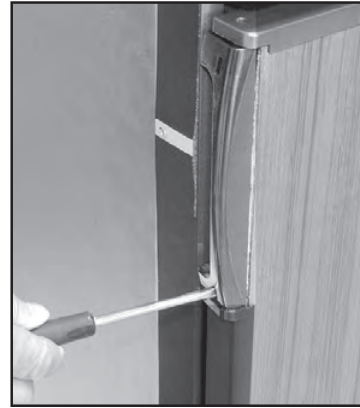
5. Snap on the handle.



REPLACING THE DOOR PANELS

To replace a mounted door panel, follow these steps:

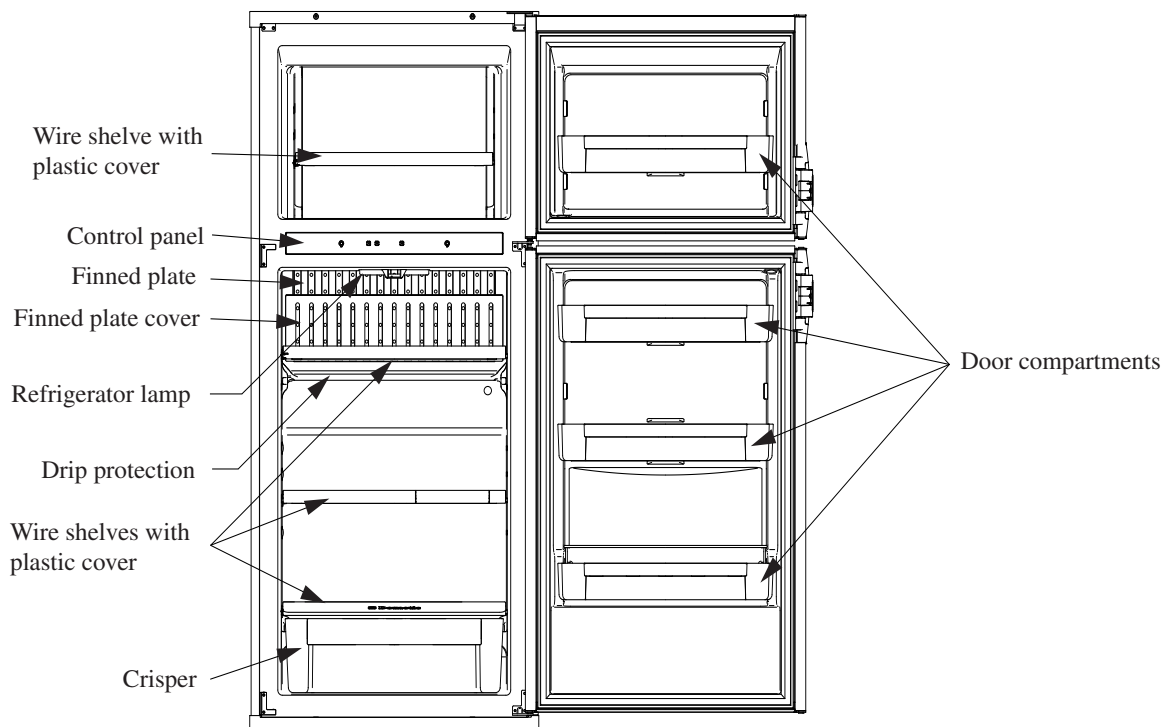
1. Detach the handle by using a flat blade screwdriver to gently push the two tabs away.



2. Remove the decoration strip, according to the previous instruction "To install the door panel", step 1.
3. Remove the door panel.
4. Install the new panel according to the previous instruction "To install the door panel", steps 3-5.

OPERATING INSTRUCTIONS

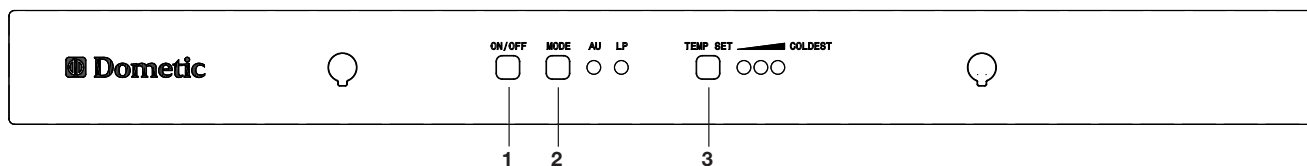
REFRIGERATOR OVERVIEW



Model shown: DMC 7-Series.


The number of shelves and door compartments may vary according to model.

CONTROL PANEL



- 1. ON/OFF button (main power)**
Press the button to turn the refrigerator on or off.
- 2. AUTO/GAS mode selector button**
Press the button to turn the AUTO mode on or off.
- 3. TEMP. SET button**
The thermostat has 3 settings where "1" indicates the warmest and "3" the coldest temperature setting.
Press the button repeatedly until the desired setting.

REFRIGERATOR OVERVIEW

LED PANEL INDICATIONS	STATUS INFORMATION
Display is on	Refrigerator on
Display is off	Refrigerator off
The AUTO indication dot is lit. AU LP ● ○	AUTO mode and AC operation
The AUTO and LP indication dots are lit. AU LP ● ●	AUTO mode and GAS operation
The LP indication dot is lit. AU LP ○ ●	Manual GAS operation mode.
	Thermostat range setting indication (1 - 3).

ABSORPTION COOLING SYSTEM

In an absorption refrigerator system, ammonia is liquefied in the finned condenser coil at the top rear of the refrigerator. The liquid ammonia then flows into the evaporator (inside the freezer section) and is exposed to a circulating flow of hydrogen gas, which causes the ammonia to evaporate, creating a cold condition in the freezer.

When starting this refrigerator for the very first time, the cooling cycle may require up to four hours of running time before the cooling unit is fully operational. The tubing in the evaporator section is specifically sloped to provide a continuous movement of liquid ammonia, flowing downward by gravity through this section.

LEVELING THE REFRIGERATOR

Leveling is one of the requirements for proper operation with absorption refrigerators. To ensure proper leveling the vehicle needs to be leveled so it is comfortable to live in (no noticeable sloping of floor or walls).

Any time the vehicle is parked for several hours with the refrigerator operating, the vehicle should be leveled to prevent this loss of cooling.

CAUTION

Do not park your RV on a slope for a longer period of time. Absorption refrigerators use a gravity-flow system. Being on an angle of more than a couple of degrees for extended periods of time stops the refrigeration and might cause damage to the cooling unit.

If the refrigerator is operated when it is not level and the vehicle is not moving, liquid ammonia will accumulate in sections of the evaporator tubing. This will slow the circulation of hydrogen and ammonia gas, or in severe cases, completely block it, resulting in a loss of cooling.

When the vehicle is moving, the leveling is not critical, as the rolling and pitching movement of the vehicle will pass to either side of level, keeping the liquid ammonia from accumulating in the evaporator tubing.

Sodium chromate is used to prevent corrosion (less than 2 weight % of the coolant).

WHEN THE REFRIGERATOR IS NOT IN USE

Any absorption refrigerator that is to be taken out of service for a long extended period of time should be turned off.

CAUTION

It is important that you do not leave the refrigerator to run idle and/or unattended for days or weeks.

AUTOMATIC ENERGY SELECTOR CONTROL SYSTEM

The refrigerator is equipped with an automatic energy selector control system. The user turns the refrigerator on, selects the desired temperature and then, the refrigerator automatically selects the most suitable energy source available (either 120V AC or LP gas operation). The system can be set by the user to be fully automatic (AUTO mode is selected) or to operate on LP gas only (AUTO mode is off).

The refrigerator controls will work down to 9.6 volt DC.

AUTO MODE / GAS MODE

The refrigerator is equipped with a control system where the user can choose to turn the AUTO mode on or off.

AUTO MODE IS TURNED ON

The system is fully automatic which means that it selects the most suitable energy source available, either 120V AC or LP gas operation.

REFRIGERATOR OVERVIEW

AUTO MODE IS TURNED OFF (GAS MODE)

The system operates on LP gas only. The control system activates the ignition system and makes one attempt to light the burner.

Note that the temporary gas lockout feature does not work when the AUTO mode is turned off! Consequently, when parking close to a gasoline pump all LP gas appliances vented to the outside of the vehicle must be turned off. Otherwise gasoline fumes from gasoline pumps might enter LP gas appliance and these can then ignite from the burner flame and cause

⚠ WARNING

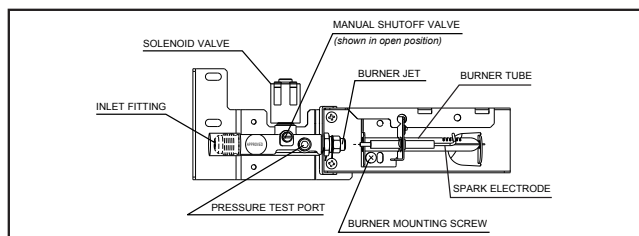
FIRE OR EXPLOSION HAZARD. When refueling or parked near gasoline pumps, shut off all LP gas appliances. Failure to heed this warning could cause a fire or explosion resulting in death or severe personal injury.

INSTRUCTIONS FOR USE

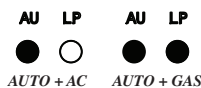
STARTING THE REFRIGERATOR

⚠ WARNING

FIRE HAZARD. Before lighting the gas burner, after that the RV has not been used for some time, please check that the gas path between the burner jet and the burner tube has not been obstructed. Failure to heed this warning could cause a fire resulting in personal injury



1. Check that all the manual gas valves are in the ON position.
2. Make sure that a continuous 12V DC supply is available for the electronic control to function.
3. Press the ON/OFF button.
4. Select operation mode:
 - **AUTO mode (AC and GAS)**
Press the AUTO/GAS mode selector button (if not already on).



- **GAS mode (GAS operation only)**
Press the AUTO/GAS mode selector button to turn off the AUTO mode (if not already off).



ADJUSTING THE THERMOSTAT

The thermostat controls both the gas and electric operation. Thus it is not necessary to reset each time a different energy source is employed. The adjustable thermostat ranges from 1 - 5 where 5 signifies the coldest temperature setting. After the initial start-up, adjust the thermostat by pressing the TEMP. SET button repeatedly until the desired setting is displayed.

The refrigerator is equipped with an automatic Low Ambient Control (LAC) function which guarantees the correct temperature in the freezer even at low ambient temperatures.

TURNING OFF THE REFRIGERATOR

You can turn off your refrigerator by pressing the main power ON/OFF button found on the control panel to the off position. This will shut off all power to the refrigerator, including DC power to the refrigerator.

If the refrigerator will not be in operation for a period of weeks or put into winter storage, it should be emptied, defrosted, cleaned and the doors left ajar. The ice trays should also be dried and kept outside the cabinet.

If your RV is being put into winter storage, it is recommended to either put your RV batteries on a battery charger or turn off the vehicle's main 12V switch. This will prevent the RV battery from discharging. (The refrigerator's control system still consumes a few milliamps even if it is turned off.)

STORAGE COMPARTMENTS

WARNING

EXPLOSION HAZARD. Never store explosive substances in the refrigerator, such as cigarette lighter fuel, gasoline, ether or the like. Failure to heed this warning could cause an explosion resulting in death or severe personal injury.

REFRIGERATOR VOLUME

REFRIGERATOR MODEL	TOTAL REFRIGERATED VOLUME (CU.FT)
DMR/DMC	7

FOOD STORAGE COMPARTMENT

- Cool the refrigerator before placing any food inside. Never put hot food or drinks into the refrigerator - cool them first.
- The food storage compartment is completely closed and unventilated, which is necessary to maintain the required low temperature for food storage. Consequently, foods having a strong odor or those that absorb odors easily should be covered.
- Vegetables, salads etc. should be covered to retain their crispness.
- The coldest positions in the refrigerator are under the cooling fins and at the bottom of the refrigerator. The warmer areas are on the upper door shelves. This should be considered when placing different types of food in the refrigerator.
- Arrange all food in the unit to allow for free air circulation. Do not overpack because a stuffed refrigerator must work harder and will have higher cabinet temperatures.
- Do not leave the unit's door open any longer than necessary. This will reduce frost formation and increase the efficiency of the refrigerator.

FROZEN FOOD STORAGE COMPARTMENT


This compartment is not designed for deep or quick freezing of food.

- To prevent food from drying out, keep it in covered dishes, containers, plastic bags or wrapped in aluminum foil.
- Meat or fish, whether raw or prepared, can be stored in the frozen food storage compartment provided they are pre-cooled first in the refrigerator. They can be stored about three times longer in the frozen food compartment as compared to the fresh food compartment.
- Quick frozen soft fruits and ice cream should be placed in the coldest part of the compartment, which is at the bottom of the aluminum liner.
- Frozen vegetables, may be stored in any part of the compartment.
- To prevent frost buildup, which can reduce the efficiency, wipe excess moisture off items being placed in the compartment.

ICE CUBES

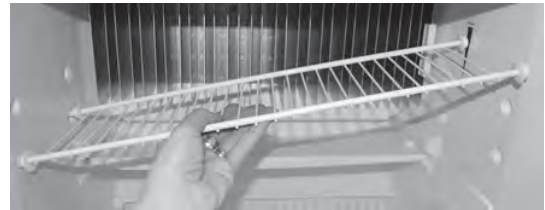
Ice cubes can be made in the freezer compartment. Place the trays in direct contact with the bottom of the freezer compartment. Ice will be made more rapidly if the thermostat is set at its highest position, but be sure to move the thermostat back to normal setting when the ice is formed; the refrigerator might otherwise become too cold.

REMOVING AND REPLACING THE SHELVES

-  1. Remove the shelf locks by inserting the tip of a flat bladed screwdriver into the slot of the locks. Turn the screwdriver counterclockwise and then remove the shelf locks from the wire shelf.



2. Tilt the shelf to one side at an angle while pulling forward.



3. Reposition the shelf in the desired location. Insert the ends of the wire shelf on the left-hand side and slide the shelf into the holes on the right-hand side.
4. Slide the plastic plugs into the holes of the wall.
5. Snap the shelf locks onto the wire shelf.



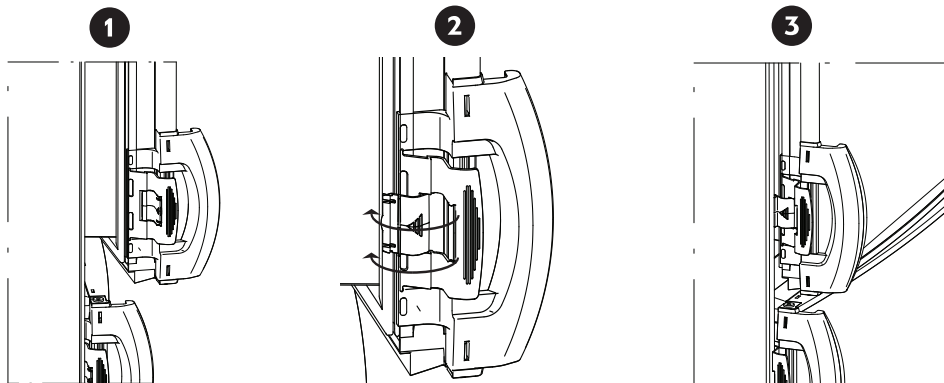
STORAGE COMPARTMENTS

AIRING POSITION

Use the Airing Position to keep the doors ajar if the refrigerator will not be in use for an extended period of time or put into storage.

Put the door in airing position by:

- (1) Open the door.
- (2) Turn the integrated flap in the door handle to its end position.
- (3) Close the door with the flap in its end position.



PRODUCT CARE

CLEANING


Always keep the refrigerator clean. Cleaning the refrigerator is usually done after it is defrosted or put into storage. Use lukewarm weak soda solution to clean the interior liner of the refrigerator. Use warm water only to clean the finned evaporator, gasket, ice tray and shelves.

NOTE! Never use strong chemicals or abrasives to clean these parts, as the protective surfaces will be damaged. Do not spray liquids near electrical outlets, connections or the refrigerator components.

To keep the refrigerator operating efficiently and safely, periodic inspection and cleaning of several components once or twice a year is recommended:

- Check the lower vent, upper vent and area between these openings for any obstructions such as bird/insect nests, spider webs, etc.
- Make sure the refrigerator area is free from combustible material, gasoline and other flammable vapors or liquids.
- Clean the coils on the back of the refrigerator. Use a soft bristled brush to dust off the coils.

DEFROSTING

-  1. Shut off the refrigerator by pressing the main power ON/OFF button.
2. Empty the refrigerator.
3. Leave the cabinet and freezer doors open and place the drip tray under the finned evaporator. Defrosting time can be reduced by filling the ice trays with hot water and placing them in the freezer compartment.

CAUTION

Do not use:

- A knife or an ice pick, or other sharp tools to remove frost from the freezer shelves. It can create a leak in the ammonia system.
- A hot air blower. Permanent damage could result from warping the metal or plastic parts.

4. When all the frost has melted, dry the interior with a clean cloth.
5. Replace the food. Set the thermostat to the coldest setting for a few hours. Then, reset the thermostat to the desired setting, usually at mid setting.

MAINTENANCE & SERVICE

CAUTION

If your refrigerator stops cooling, immediately turn the refrigerator off and see a Dometic dealer.



In order to keep the refrigerator working properly it is important to periodically check the venting system and that service is performed on a regular schedule. This service must be performed by qualified service personnel only!

ELECTRIC EQUIPMENT

HEATER

The heat necessary for the operation of an absorption cooling unit is supplied by an electric heater mounted in a pocket of the boiler system. The refrigerator is equipped with one electrical heater for 120V AC.

REPLACING THE HEATER

To replace the heater, follow these steps:



1. Turn off the refrigerator.
2. Unplug the power cord and disconnect the 12V DC power.
3. Open the power module cover.
4. Disconnect the heater leads.
5. With a pair of pliers, unfold the lug holding the lid of the boiler casing and then, open the lid. Remove some insulation wool for the heater to be accessible.
6. Turn and lift the heater out of its pocket.
7. Fit the new heater into the pocket.
8. Connect the leads and close the power module cover.
9. Put the insulation wool back in place.
10. Close boiler lid.

FUSES

The refrigerator is equipped with two 5 A fuses - one for 12V DC and one for the AC heater.

REPLACING THE FUSES



1. Turn off the refrigerator.
2. Unplug the power cord
3. Open the power module cover.
4. Snap the fuse out of the fuse holder.
5. Fit the new fuse in to the fuse holder.
6. Close the power module cover.

CHECKING THE CONNECTIONS

LP gas is a flammable gas which has the potential to create a hazard. Do not smoke or create sparks when working on or near the LP gas system.



WARNING

EXPLOSION HAZARD. Never use an open flame to check for gas leaks. Failure to heed this warning could cause an explosion resulting in death or severe personal injury.



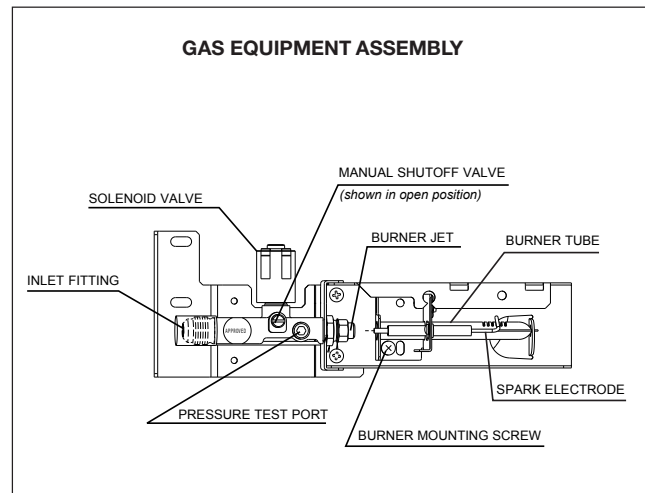
1. Check all connections in the LP gas system for gas leaks. The LP gas supply must be turned on.
2. Apply a non-corrosive bubble solution to all LP gas connections. The appearance of bubbles indicates a leak and should be repaired *immediately!*

CHECKING THE CONTROL SYSTEM

Check the control system by connecting/disconnecting the 120V AC power, starting/stopping the engine, etc.

CHECKING THE LP GAS PRESSURE

The LP gas pressure should be checked and the main regulator readjusted if the pressure is incorrect. The correct operating pressure is 11 inches of water column. Measure the LP gas pressure at the test port, just ahead of the burner jet.



MAINTENANCE & SERVICE

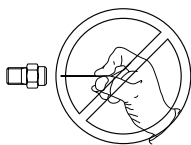
CLEANING THE FLUE BAFFLE AND BURNER

Inspect the flue baffle. It should be reasonably clean and free of soot. Heavy soot formation indicates improper functioning of the burner.

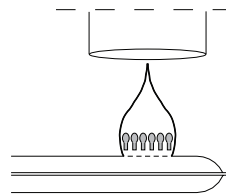
1. Turn off the refrigerator.
2. Unplug the power cord from the 120V AC outlet. Disconnect the wires or shut off the 12V DC power supply to the refrigerator.
3. Turn off the manual shut off valve.
4. Remove cover from burner housing. Remove the burner mounting screws and then, the burner assembly.
5. Remove the wire and flue baffle from the top of the flue tube.
6. Using a flue brush, clean the flue from the top. Blowing compressed air into the flue will *not* properly clean soot and scale out of the flue tube.
7. Put back the flue baffle.
8. Clean the burner tube with a brush. Blow out the burner with compressed air.
9. Remove burner jet, but first, clean burner area of soot and scale that fell out of flue tube.
10. Remove the burner jet.
11. Soak the jet in wood alcohol and blow it out with compressed air.

WARNING

FIRE HAZARD. Do not use a wire or pin when cleaning the burner jet as damage can occur to the precision opening. Failure to heed this warning could cause fire resulting in personal injury.

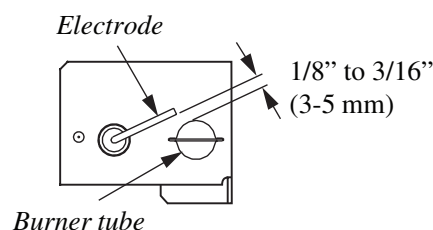


12. Reinstall and tighten the burner jet.
13. Reinstall the burner. Ensure the end of the burner fits into the slot on the burner bracket. Verify that the slots are centered under the flue tube).



Be sure to check the burner flame for proper appearance. The flame should be light blue. If it has a yellow tip, it means that it is burning incorrectly.

14. Check the electrode for proper location and gap.



15. Turn on the manual gas shut off valve.
16. Examine all fittings for leaks. (Use a commercial non-corrosive bubble solution.)
17. Connect the 120V power cord. Reconnect/turn on the 12V DC power.
18. Check the LP gas safety shut off.

REFRIGERATOR REMOVAL

Before removing the refrigerator:

1. Verify that the AC and DC voltage leads are disconnected.
2. Shut off the gas supply.
3. Disconnect the gas supply line at the rear of the refrigerator. Always use a back up wrench when loosening and tightening connections.

To remove the refrigerator, follow these steps:

1. Cap the gas supply line.
2. Loosen the screws anchoring the refrigerator to the enclosure.
3. Slide the refrigerator out of the compartment.

Replacement is the reverse of removal. When reinstalling the refrigerator, make sure the sealing strips are properly positioned. Check all connections for gas leaks.

TROUBLESHOOTING

TROUBLESHOOTING TABLE

If you run into a problem, refer to the troubleshooting table below. If an error code is displayed, please see “ERROR CODES” for further information.


SYMPTOM	CHECK/REMEDIAL ACTION
The refrigerator has stopped cooling.	<ul style="list-style-type: none"> • Immediately turn the refrigerator off and contact a Dometic dealer or Service Center. NOTE! Do not leave it running for days and never try to solve the problem by repeatedly restarting the refrigerator. • Do not use the refrigerator until it has been repaired.
Ammonia emanates from refrigerator	<ul style="list-style-type: none"> • Immediately turn the refrigerator off. • Open windows and door to air out the coach and evacuate. • Contact a Dometic dealer or Service Center. • Do not use the refrigerator until it has been repaired.
Refrigerator or freezer is not cold enough	<ul style="list-style-type: none"> • Is the plug firmly connected to the socket? Is the socket switched on? Check the socket by plugging in another appliance. • The refrigerator does not work on 120V AC. Is there a power failure? Is the fuse intact? If interior light is off but the lamp is fine, change the 12V DC fuse. • Is the thermostat properly set? • Is the refrigerator level? Because of its operation it is important to keep an absorption refrigerator level. • Heavy frost build-up on evaporator fins? To prevent frost buildup, which can reduce efficiency, do not leave the unit's door open longer than necessary. • Door closing properly? Check the door gasket. • Overpacked refrigerator? The unit will have to work harder if the refrigerator is stuffed and results in higher cabinet temperatures. Arrange the food in the unit to allow for free air circulation. • Is the burner dirty, damaged or not properly located under the flue tube? • Is the burner jet clogged? • Is the flue baffle inserted properly in the flue tube? • Is the LP gas pressure low at burner? Set the main regulator to regulate the pressure so it does not drop below 11 inches water column at pressure tap.
Odors from fumes	<ul style="list-style-type: none"> • Dislocated burner • Damaged burner • Dirty flue tube
The refrigerator does not work in gas operation mode	<ul style="list-style-type: none"> • Gas bottle empty? Change the gas bottle • Air in the gas pipe? Remove air by repeating the ignition sequence.

If the problem persists and the refrigerator is still not working properly, contact your nearest Service Center. State the problem, model, product- and serial-number. These details are stated on the data label inside the compartment.

TROUBLESHOOTING






WARNINGS

For information about warnings, refer to the following table. The messages are displayed flashing (alternating between temperature and the message).

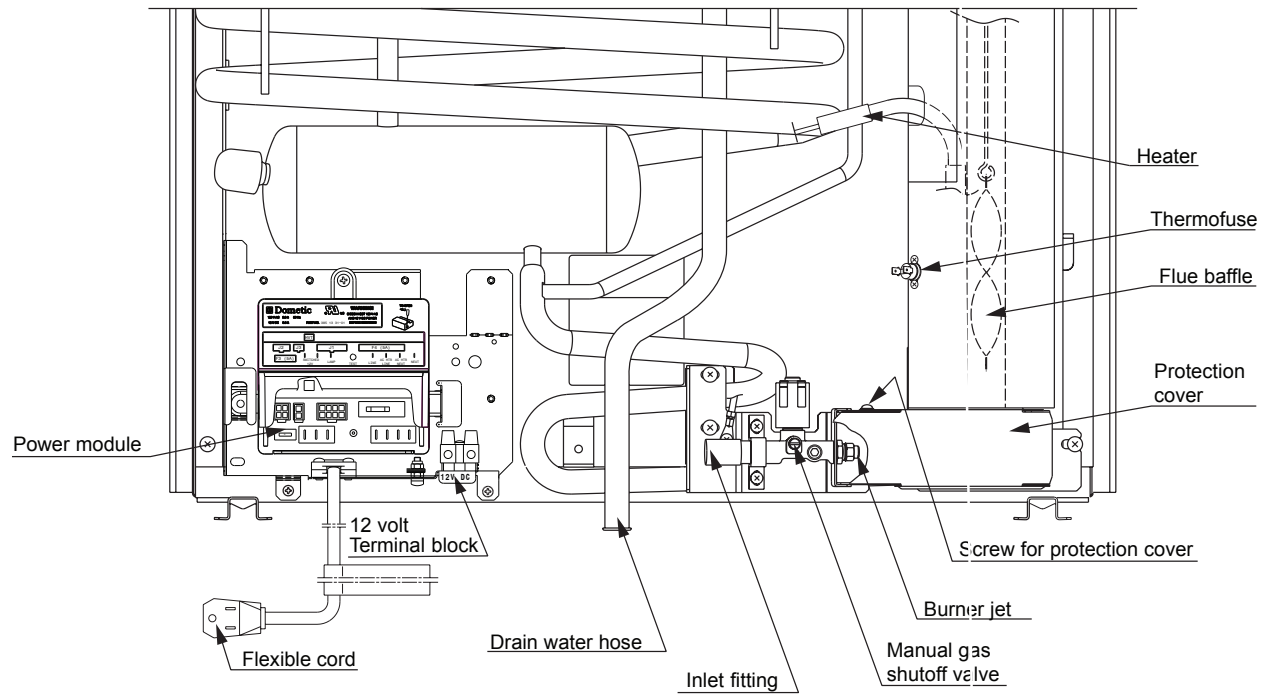
WARNINGS	INFORMATION
LP 	<ul style="list-style-type: none">• Gas ignition failed. The gas flame has not been ignited after 45 seconds. Turn refrigerator OFF and then back ON to return to normal operation.• Gas bottle empty and needs replacing or burner jet is clogged and should be cleaned.• Air in the gas line? After changing a gas bottle or after a long shutoff period, the gas line is likely to be filled with air. You may have to repeat the lighting procedure (45 seconds) by turning the refrigerator off and on several times in order to purge the air out of the gas lines.

ERROR CODES

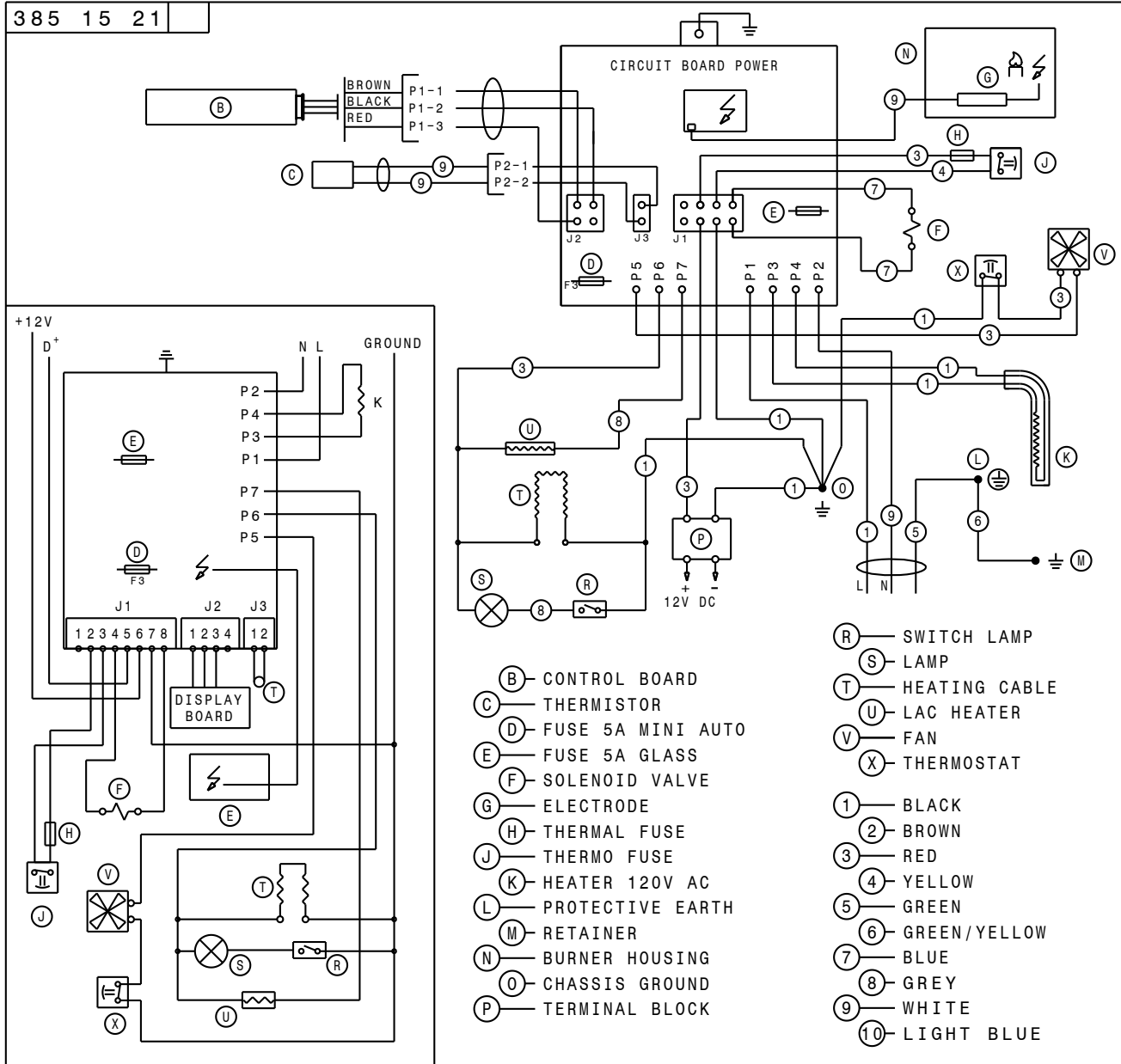
For information about error codes, refer to the following table. The codes are displayed by flashing temperature setting LEDs. After having solved the problem, turn refrigerator OFF and then back ON. The refrigerator will return to normal operation.

ERROR CODES	INFORMATION
	Disconnected gas valve or hardware fault in the gas operation system.
	<ul style="list-style-type: none">• Overheating thermostat is disconnected.• The cooling unit has been overheated. Service is required.
	A faulty temperature sensor device or a fault in the associated electronic circuitry has occurred. Make sure the sensor wire is connected.
	DC voltage is out of range (exceeds or drops below the limit values approx. 8-18V DC).
	No communication between display and power module.

APPENDIX A - REARVIEW EQUIPMENT



APPENDIX B - WIRING DIAGRAM



APPENDIX C - CONSUMER SUPPORT

Dometic website

www.dometicusa.com

Please visit the website for information and news about Dometic products. You can obtain information about how to get in contact, learn about product care, download manuals, leaflets and warranties.

Service and spare parts

For service, please contact the Service Center Assistance, see the front page of this manual - or - visit the Dometic website to find the location of the nearest Dometic Service Center.

Contact us

For contact information, please see the frontpage of this manual - or - visit the Dometic website.

Register the appliance

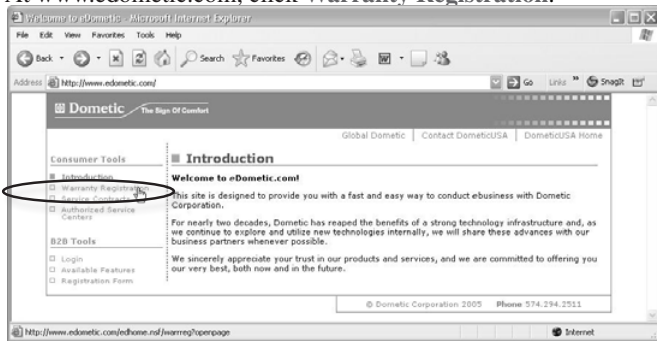
www.edometric.com

Timely registration will allow for enhanced communication and service under the terms of the warranty, see APPENDIX D - DOMETIC WARRANTY.

To register the appliance, fill in the pre-printed registration card on the last page of this manual or register on-line at the Dometic website www.edometric.com.

TO REGISTER ON-LINE, FOLLOW THESE STEPS:

1. At www.edometric.com, click **Warranty Registration**.

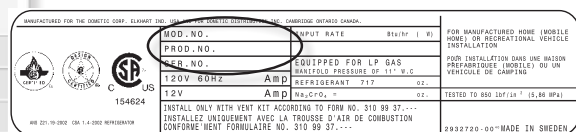


2. Click **Register your new Dometic product here**.



3. Complete the information and then, click the **Submit Registration** button.

A screenshot of the 'Dometic Owner's Registration' form in Microsoft Internet Explorer. The browser address bar shows <http://www.edometric.com/edhome.nsf/jwarrreg/registration/openform>. The form has a heading 'Dometic Owner's Registration' and a sub-heading 'Registering your new product is an essential step to ensure that you receive all of the benefits you are entitled to as a DOMETIC/DUO-THERM customer. Please complete the information below to register your new product today! This registration is for original owners only.' The form includes fields for 'First', 'M.', 'Last', 'Street', 'City', 'State/Prov.', 'Zip', 'Canadian Zip', 'Model Number', 'Serial Number', 'Date of Purchase', 'E Mail Address', 'Home Phone', and 'Work Phone'. The 'Model Number' and 'Serial Number' fields are circled in red. A 'SUBMIT Registration' button is at the bottom.



The model number (e.g. DMC702) and serial number (e.g. 012 34567) are stated on the data label in the refrigerator compartment.

APPENDIX D - DOMETIC WARRANTY

Congratulations, and Thank You for purchasing the industry's best built and best backed RV Refrigerator. Below you will find important warranty and maintenance information on Dometic's exclusive two (2) year warranty. Please take a few moments and familiarize yourself with the program. We at Dometic appreciate your business and are confident that you will have many years of trouble-free RV enjoyment.

LIMITED TWO-YEAR WARRANTY DOMETIC REFRIGERATORS

1. This warranty is made only to the first purchaser (herein after referred to as the "Original Purchaser") who acquires the product for his own use and is installed and operated within the continental United States and Canada.
2. This warranty will be in effect for two years on parts and freight and two years on labor from the date of purchase by the Original Purchaser. It is suggested that the original purchaser retain a copy of the dated bill of sale as evidence of the date of purchase.
3. This warranty covers only specified parts, which shall be free from defects in material and workmanship under normal use. This warranty does not cover conditions unrelated to the material and workmanship of the product. Such unrelated conditions include, but are not limited to: (a) damage not reported within the first 7 days of ownership; (b) faulty installation or installation that does not comply with RVIA standards, and any damage resulting from such; (c) the need for normal maintenance and any damage resulting from the failure to provide such maintenance; (d) failure to follow Sellers instructions for use of product; (e) any accident to or misuse of any part of this product and any alteration by anyone other than the Seller or its authorized representative; (f) any non-Dometic parts that are installed as replacement parts will void any warranty (implied or written); (g) blow out conditions; (h) radio frequency interference and electromagnetic interference; (i) 12V system chassis ground decay and corrosion; (j) puncture of foam cabinet or vacuum insulated panels after acknowledged receipt; (k) animal or insect infiltration which damages unit or inhibits performance; (l) abuse or misuse of electrical components.
4. The specified parts covered by this warranty are as follows: Major components (cooling unit, LP gas valve, burner, burner housing, electronic display, electronic module, evaporator fins, foam integrity, frame, thermister, spark probe, ignition wire, ice maker compressor, second absorption loop, display escutcheon, lower toe plate, humidity switch, frame heater mullion, ice maker mullion) are covered for parts and freight for two years and labor for two years from date of purchase. All other components that fail must be reported within the first 90 days of ownership in order to receive coverage of parts, freight and labor under warranty.
5. This warranty requires the Original Purchaser to provide preventative maintenance on a yearly basis, starting at the anniversary of his date of purchase. The Original Purchaser must keep a record of the preventative maintenance to keep the warranty in effect. Failure of the Original Purchaser in providing this annual maintenance may void the warranty. The preventative maintenance must be performed at a Dometic Authorized Service Center/Dealer. The preventative maintenance required is an inspection, cleaning and full diagnostics performed on the entire electronic system, burner assembly, wiring and cooling unit. A copy of the receipt covering the main tenance checks must accompany the warranty claim during the second year of ownership. The cost of this preventative maintenance is the Original Purchaser's responsibility and should take about one hour.
6. In order to obtain the benefits of this warranty, the original purchaser must return the product which is found defective to the Seller named below or to a Dometic Authorized Service Center during the period that this warranty is in effect. The original purchaser is responsible for all charges incurred in delivery of the product to the Seller or Dometic Authorized Service Center, and in pick up after the warranty service has been completed. To obtain the location of the nearest Authorized Service Center, please call 1-800-544-4881 or in Canada call 1-519-653-4390.
7. Any item returned in the manner described in paragraph 6 will be examined by the Seller or the Authorized Dometic Service Center. If it is found that the returned item was defective in material and workmanship, the Seller or the Authorized Dometic Service Center will repair the product per the terms outlined in paragraph 4. **CONFIRM THE SERVICE AGENCY IS AN AUTHORIZED DOMETIC SERVICE CENTER. DO NOT PAY THE SERVICE AGENCY FOR WARRANTY REPAIRS. SUCH PAYMENTS WILL NOT BE REIMBURSED.**
8. The Seller does not authorize any person or company to create any warranty obligations or liability on their behalf. This warranty is not extended by the length of time which you are deprived of the use of the product. Repairs and replacement parts provided under the terms of this warranty shall carry only the non-expired portion of this warranty.
9. In no event shall either seller be liable for incidental or consequential damages. This includes any damage to another product or products resulting from such a defect. Some states do not allow the exclusion or limitation of incidental or consequential damages, so the above limitations may not apply.
10. Any implied warranty, including the implied warranty of merchantability and fitness for any purpose, is limited to the duration of this limited warranty. Some states do not allow limitations on how long an implied warranty can last, so the above limitation may not apply.
11. **THIS WARRANTY GIVE SPECIFIC LEGAL RIGHTS, YOU MAY ALSO HAVE OTHER RIGHTS WHICH VARY FROM STATE TO STATE.** No action to enforce this warranty shall be commenced later than ninety (90) days after the expiration of the warranty period. Claims must be submitted in writing to the Dometic Warranty Department for arbitration.
12. All products (except those specifically built for commercial use) are warranted only when installed on vehicles built to R.V.I.A and C.R.V.A, Z-240 Standards.
13. The Seller reserves the right to change the design of any product without notice and with no obligation to make corresponding changes in products previously manufactured.

DOMETIC, LLC
Warranty Department
2320 Industrial Parkway
Elkhart, IN 46516
Phone: 574-294-2511
Fax: 574-389-3975

APPENDIX E - MAINTENANCE SCHEDULE

REFRIGERATOR OWNER MAINTENANCE YEARLY RECORD

Customer Name: _____ Model No.: _____ Date of Purchase: _____
 Address: _____ Serial No.: _____
 City: _____ State: _____ Zip Code: _____
 Phone: _____

FIRST YEAR	SECOND YEAR																																										
Date: _____	Date: _____																																										
Dealership: _____	Dealership: _____																																										
Address: _____	Address: _____																																										
City: _____	City: _____																																										
State: _____ Zip: _____	State: _____ Zip: _____																																										
Phone: _____	Phone: _____																																										
Technician: _____	Technician: _____																																										
<p>Cleaned Burner Assembly: Yes / No</p> <p>Cleaned/Check All Terminals Connections: Yes / No</p> <p>Cleaned/Inspect All Ground Connections: Yes / No</p> <p>Inspect and Test Door Seals: Yes / No</p> <p>Inspect and Tighten LP Lines: Yes / No</p> <p>Power Ventilator Installed: Yes / No</p> <p>*Gas Safety Shutdown in 45 seconds: Yes / No</p>	<p>Cleaned Burner Assembly: Yes / No</p> <p>Cleaned/Check All Terminals Connections: Yes / No</p> <p>Cleaned/Inspect All Ground Connections: Yes / No</p> <p>Inspect and Test Door Seals: Yes / No</p> <p>Inspect and Tighten LP Lines: Yes / No</p> <p>Power Ventilator Installed: Yes / No</p> <p>*Gas Safety Shutdown in 45 seconds: Yes / No</p>																																										
<table style="width: 100%; border-collapse: collapse;"> <thead> <tr> <th style="width: 60%;"></th> <th style="width: 15%; text-align: center;">ACTUAL</th> <th style="width: 25%; text-align: center;">SPEC. RANGE</th> </tr> </thead> <tbody> <tr> <td>Electrode Gap</td> <td style="text-align: center;">_____</td> <td style="text-align: center;">3/16"</td> </tr> <tr> <td>Thermister Reading</td> <td style="text-align: center;">_____</td> <td style="text-align: center;">7-10,000 ohms @ 32°</td> </tr> <tr> <td>*D/C Voltage</td> <td style="text-align: center;">_____</td> <td style="text-align: center;">9.5 to 15 volts D/C</td> </tr> <tr> <td>*A/C Voltage</td> <td style="text-align: center;">_____</td> <td style="text-align: center;">120 Volts ± 10%</td> </tr> <tr> <td>Thermocouple Reading</td> <td style="text-align: center;">_____</td> <td style="text-align: center;">25-35 Millivolts</td> </tr> <tr> <td>*Delay Between Modes</td> <td style="text-align: center;">_____</td> <td style="text-align: center;">Approx. 5 seconds</td> </tr> </tbody> </table> <p>* Use PAL RV Diagnostic Tool for these tests.</p>		ACTUAL	SPEC. RANGE	Electrode Gap	_____	3/16"	Thermister Reading	_____	7-10,000 ohms @ 32°	*D/C Voltage	_____	9.5 to 15 volts D/C	*A/C Voltage	_____	120 Volts ± 10%	Thermocouple Reading	_____	25-35 Millivolts	*Delay Between Modes	_____	Approx. 5 seconds	<table style="width: 100%; border-collapse: collapse;"> <thead> <tr> <th style="width: 60%;"></th> <th style="width: 15%; text-align: center;">ACTUAL</th> <th style="width: 25%; text-align: center;">SPEC. RANGE</th> </tr> </thead> <tbody> <tr> <td>Electrode Gap</td> <td style="text-align: center;">_____</td> <td style="text-align: center;">3/16"</td> </tr> <tr> <td>Thermister Reading</td> <td style="text-align: center;">_____</td> <td style="text-align: center;">7-10,000 ohms @ 32°</td> </tr> <tr> <td>*D/C Voltage</td> <td style="text-align: center;">_____</td> <td style="text-align: center;">9.5 to 15 volts D/C</td> </tr> <tr> <td>*A/C Voltage</td> <td style="text-align: center;">_____</td> <td style="text-align: center;">120 Volts ± 10%</td> </tr> <tr> <td>Thermocouple Reading</td> <td style="text-align: center;">_____</td> <td style="text-align: center;">25-35 Millivolts</td> </tr> <tr> <td>*Delay Between Modes</td> <td style="text-align: center;">_____</td> <td style="text-align: center;">Approx. 5 seconds</td> </tr> </tbody> </table> <p>* Use PAL RV Diagnostic Tool for these tests.</p>		ACTUAL	SPEC. RANGE	Electrode Gap	_____	3/16"	Thermister Reading	_____	7-10,000 ohms @ 32°	*D/C Voltage	_____	9.5 to 15 volts D/C	*A/C Voltage	_____	120 Volts ± 10%	Thermocouple Reading	_____	25-35 Millivolts	*Delay Between Modes	_____	Approx. 5 seconds
	ACTUAL	SPEC. RANGE																																									
Electrode Gap	_____	3/16"																																									
Thermister Reading	_____	7-10,000 ohms @ 32°																																									
*D/C Voltage	_____	9.5 to 15 volts D/C																																									
*A/C Voltage	_____	120 Volts ± 10%																																									
Thermocouple Reading	_____	25-35 Millivolts																																									
*Delay Between Modes	_____	Approx. 5 seconds																																									
	ACTUAL	SPEC. RANGE																																									
Electrode Gap	_____	3/16"																																									
Thermister Reading	_____	7-10,000 ohms @ 32°																																									
*D/C Voltage	_____	9.5 to 15 volts D/C																																									
*A/C Voltage	_____	120 Volts ± 10%																																									
Thermocouple Reading	_____	25-35 Millivolts																																									
*Delay Between Modes	_____	Approx. 5 seconds																																									
<p style="text-align: center;">ICEMAKER MODELS</p> <p>Inspect Water Valve and All Connections: Yes / No</p> <p>Inspect Heat Tape Switch for Proper Operation: Yes / No</p>	<p style="text-align: center;">ICEMAKER MODELS</p> <p>Inspect Water Valve and All Connections: Yes / No</p> <p>Inspect Heat Tape Switch for Proper Operation: Yes / No</p>																																										

PROTECTION FOR YOUR NEW INVESTMENT

We truly appreciate that you have chosen to purchase a Dometic product for your recreational vehicle and we want to help you protect this wise investment.

We at Dometic back our products with one of the most comprehensive warranties in the industry. Complete the registration card and mail to us or register your Product on-line at www.edometic.com.



TIME-DATED
MATERIAL
Please Process
Promptly!

Tape
here

FIRST
CLASS
POSTAGE
REQUIRED



Dometic Processing Center
2320 Industrial Parkway
Elkhart, IN 46516



Tape
here

■ **WARRANTY VERIFICATION**

Your prompt registration records your right to protection under the terms and conditions of your warranty.

■ **FACTORY COMMUNICATION**

Returning your card of registering on-line guarantees you will receive product information and specials. Leaving your email address below will allow us to communicate with you quickly and efficiently.

■ **OWNER CONFIRMATION**

Your completed Owner's registration card serves as confirmation of ownership in the event of product damage or theft.

■ **2 PLUS 3 SERVICE CONTRACT**

Returning the card below or registering on-line assures you of an invitation to take advantage of an Optional 2 Plus 3 Full Service Contract which allows you to add up to 3 years of additional warranty coverage.



Return the card within **10** days to ensure your:

- WARRANTY VERIFICATION
- FACTORY COMMUNICATION
- OWNER CONFIRMATION
- 2 PLUS 3 SERVICE CONTRACT

Fold here. Close with tape.

IMPORTANT:
Return Within
10 days

 **Dometic**
Owner's Registration Card

Registering your product is an essential step to ensure that you receive all the benefits you are entitled to as a DOMETIC customer. Complete the information below and mail to us or register on-line at www.edometic.com.

Be sure to include your email address so that we can communicate with you quickly and efficiently. Your address will remain confidential and will not be distribute to third parties.

Name

Address

City Stat/Prov.

Date of Purchase Zip/Postal Code

MO DAY YEAR

Email Address

<small>REFRIGERATOR MODEL NUMBER</small>	<small>SERIAL NUMBER</small>
--	------------------------------

TO THE INSTALLER
 PLEASE AFFIX THESE INSTRUCTIONS
 TO THE REFRIGERATOR
 —
TO THE CONSUMER
 PLEASE RETAIN THESE INSTRUCTIONS
 FOR FUTURE REFERENCE